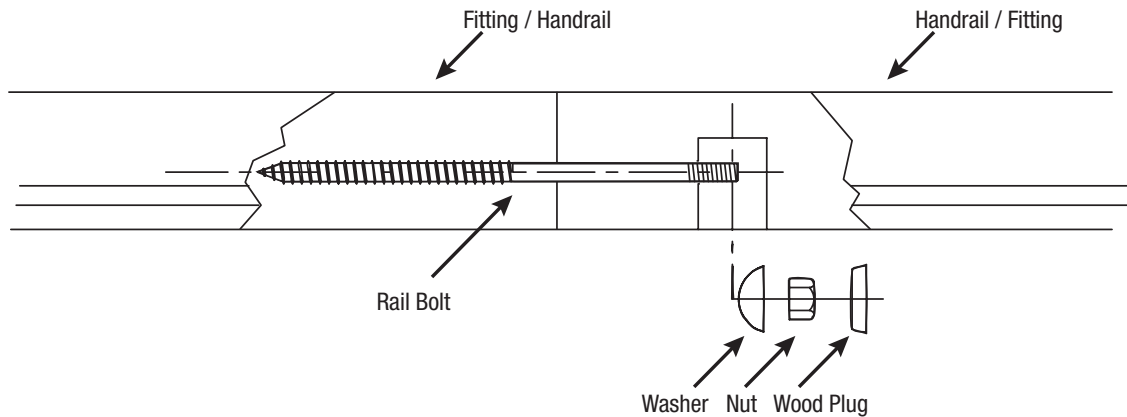


## Fitting Fasteners S-3001-CW Rail Bolt Instructions



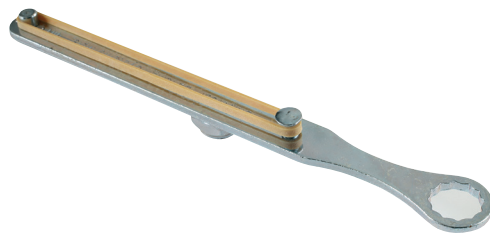
**Use to attach hand rail to: hand rail, fittings, newels, walls; or fittings to fittings.**

1. Drill a 1" hole into the bottom of the hand rail/fitting 1-3/8" from the end and a 3/8" or 1/2" clearance hole in the rail end/fitting end 15/16" from the bottom.
2. Drill a 1/4" hole into the adjoining surface (hand rail, newel, fitting).
3. Drive the bolt into the adjoining surface with (#S-3008 Rail Bolt Driver or # S-3044 Rail Bolt Wrench ) and assemble the hand rail by tightening the nut.
4. Apply glue to the inside of the hole and tap the plug into place leaving slightly above flush. Then sand flush.

**Tools Needed:** 1/4" Twist Bit, 3/8" Twist Bit or 1/2" Spade Bit, 1" Spade Bit, #S-3008 Rail Bolt Driver, # S-3044 Rail Bolt Wrench



**S-3008  
Rail Bolt Driver**



**S-3044  
Rail Bolt Wrench**