

# Newel Mounting Hardware

## S-KNFAST Keylock Instructions

The Keylock newel post fastener is fully concealable. Use on finished floor surfaces, stairs, ceramic tile, and concrete.

- Newel Post Location:** Place the newel post in desired location where an adequate backing is available. Draw a line around base of post. Set Keylock plate in center of drawing and mark plate for inletting.

**New Construction:** To provide adequate backing on a stair tread, install two 2x6's between stair jacks and finish as usual.

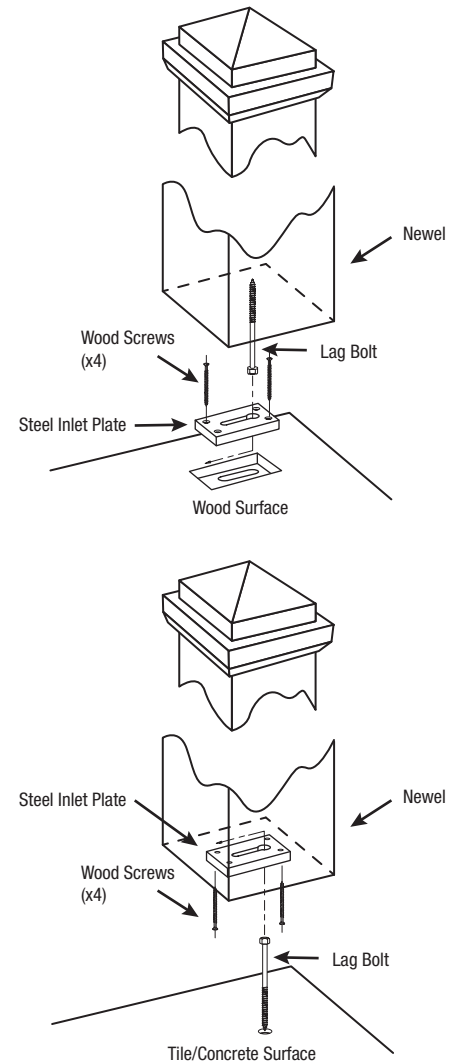
Remodeling: If adequate backing is not available, inset plate in bottom of newel post and insert lag bolt in stair stringer.
- Install Plate:** Inset plate 1/16" below finished surface (stair tread, nosing, etc.) with a router or chisel. Chisel out keyhole area 1/4" to 3/8" deeper and wide enough for lag bolt head to slide freely. Insert plate and fasten with four screws. If surface is cupped or warped, belt sand to provide a flat surface.
- Install Lag Bolt:** Cut newel post to desired length. Plumb the post by cutting the post base at angle to accommodate un-level surface. Drill a 1/4" or 5/16" pilot hole by 4" deep in the bottom center of post. With a 9/16" wrench, screw lag bolt into post to within 1/2" of lag bolt head. Wax lag threads for ease of installation.

**Optional:** Lag bolt may be installed up to 1/2" off center in bottom of newel post.
- Install Newel Post:** Insert lag bolt head into Keylock plate. With a hammer and block of wood (to protect post) drive base of newel post towards opposite end. As the lag bolt slides down the tapered slot, the post will tighten. If the Keylock plate shows on either side, the lag bolt needs to be loosened or tightened to conceal the Keylock plate.
- Ceramic Tile Installation:** Inset plate in bottom of newel post and screw lag bolt into the floor following the above directions. Important- Before drilling 1/4" pilot hole in floor for the lag bolt, drill a 1/2" diameter clearance hole through ceramic tile.

**Concrete Installation:** Inset plate in bottom of newel post by following the above directions.

**Optional:** A 3/8" concrete anchor may be substituted for lag bolt in concrete.
- Other Uses:** Use the Keylock fastener for securely joining surfaces when a strong, flush, or removable installation is needed, ie; Mantels, railings, mailboxes, cabinets, signs, furniture, walls, etc.

**TOOLS NEEDED:** Electric Drill with 1/4" or 5/16" and 1/8" or 3/16" wood drill bits. Wood chisel or route, hammer, and Phillips screwdriver.



Designed to tightly draw two members together as the lag bolt head slides down the keyhole slot.

**Package Includes:**

- 1 – 2-5/8" x 1-7/8" x 3/8" Steel plate
- 1 – 3/8" x 5" lag bolt
- 4 – #10 x 3 3/4" wood screws